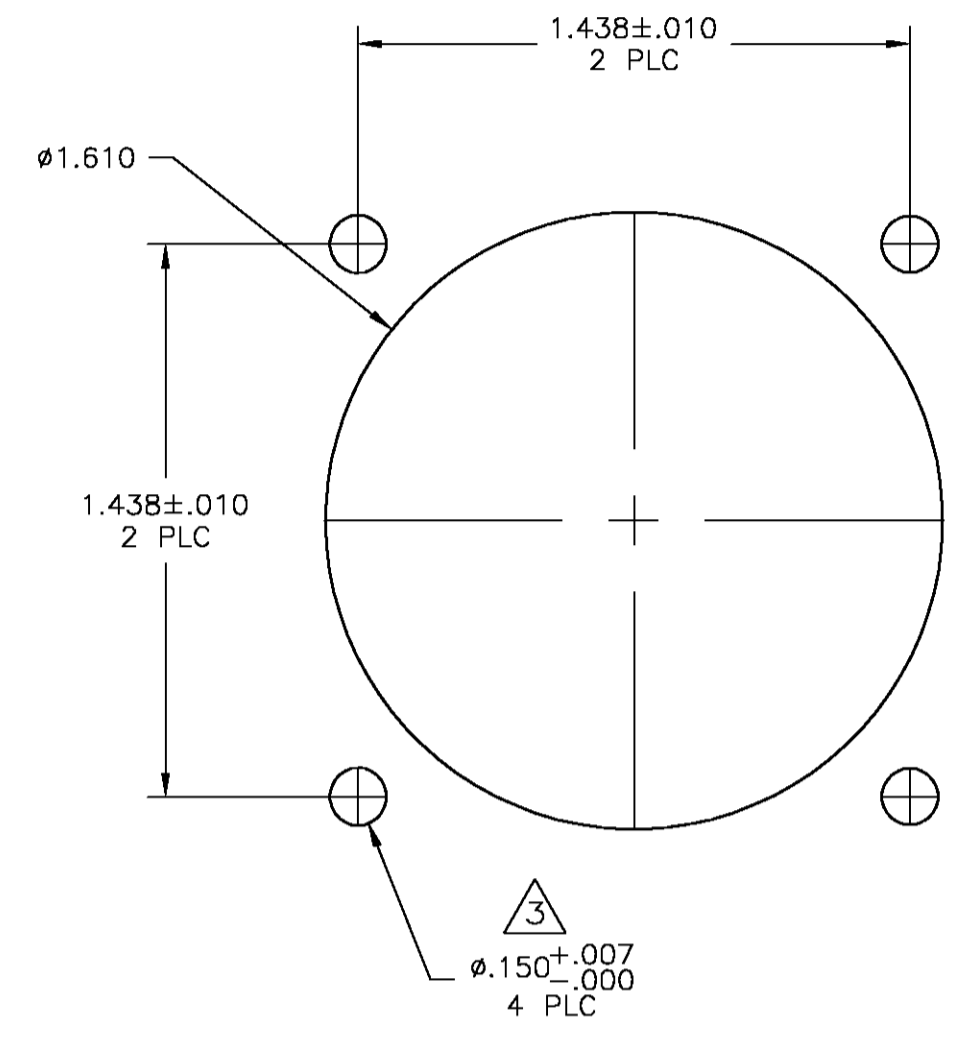
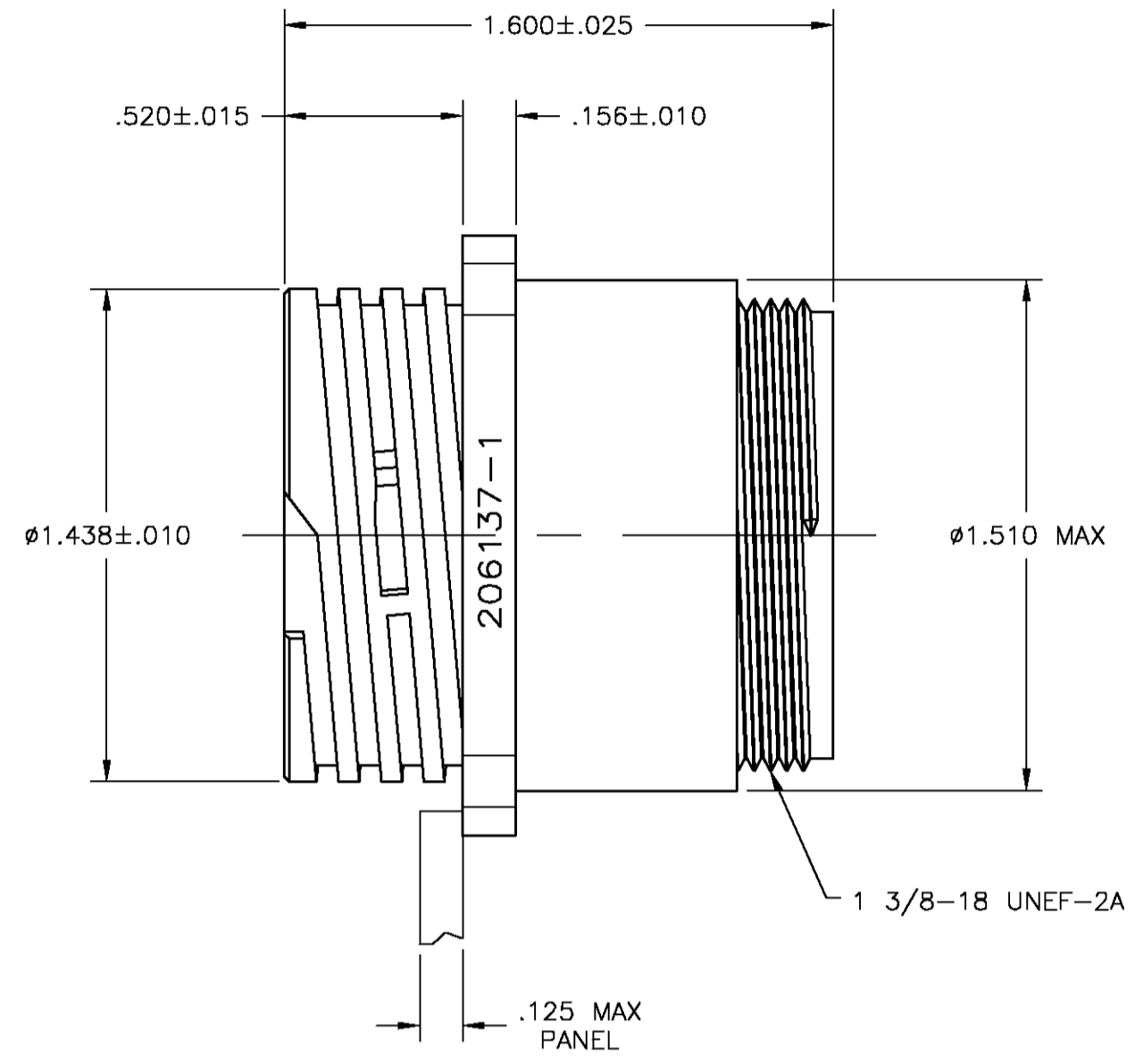
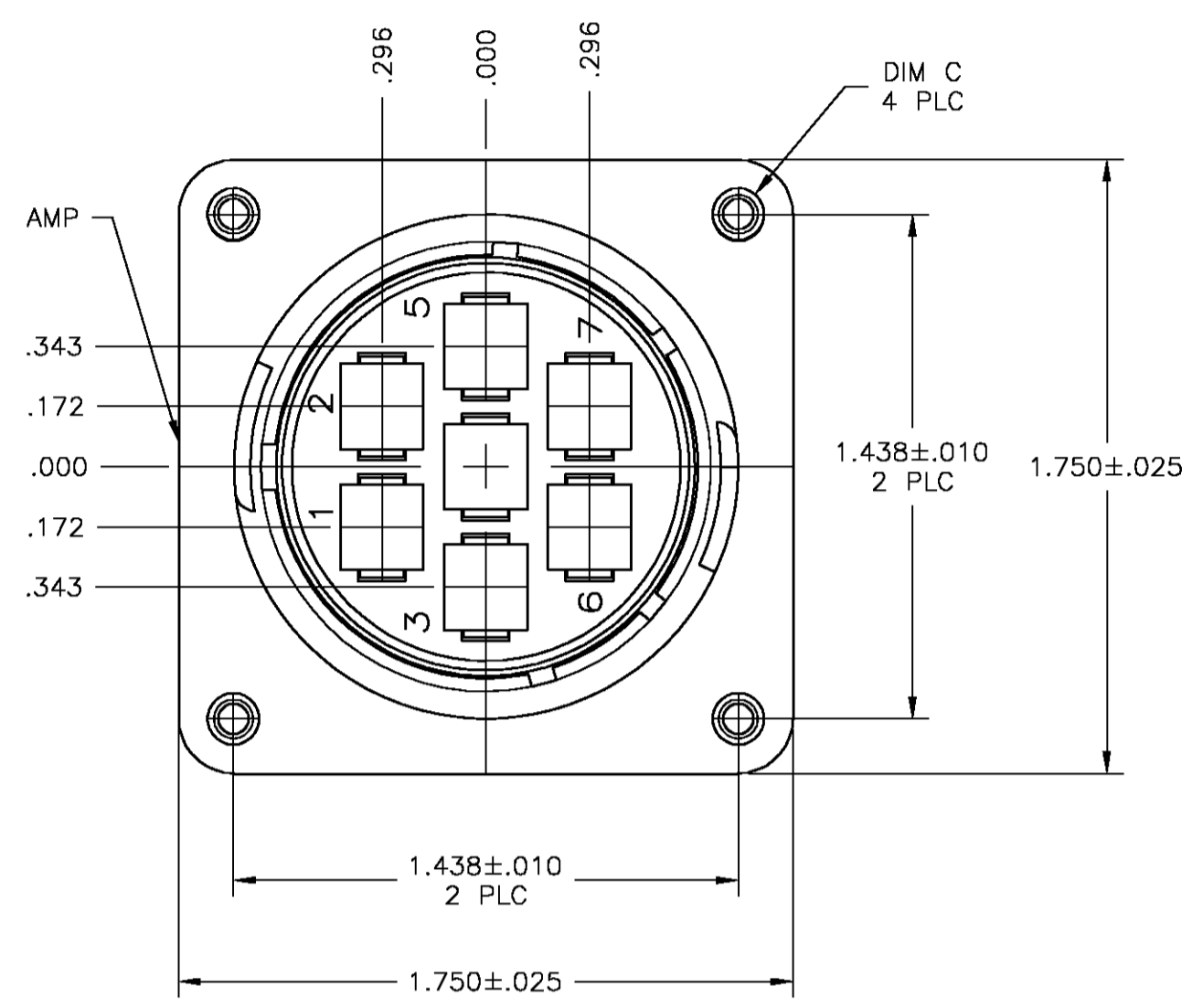


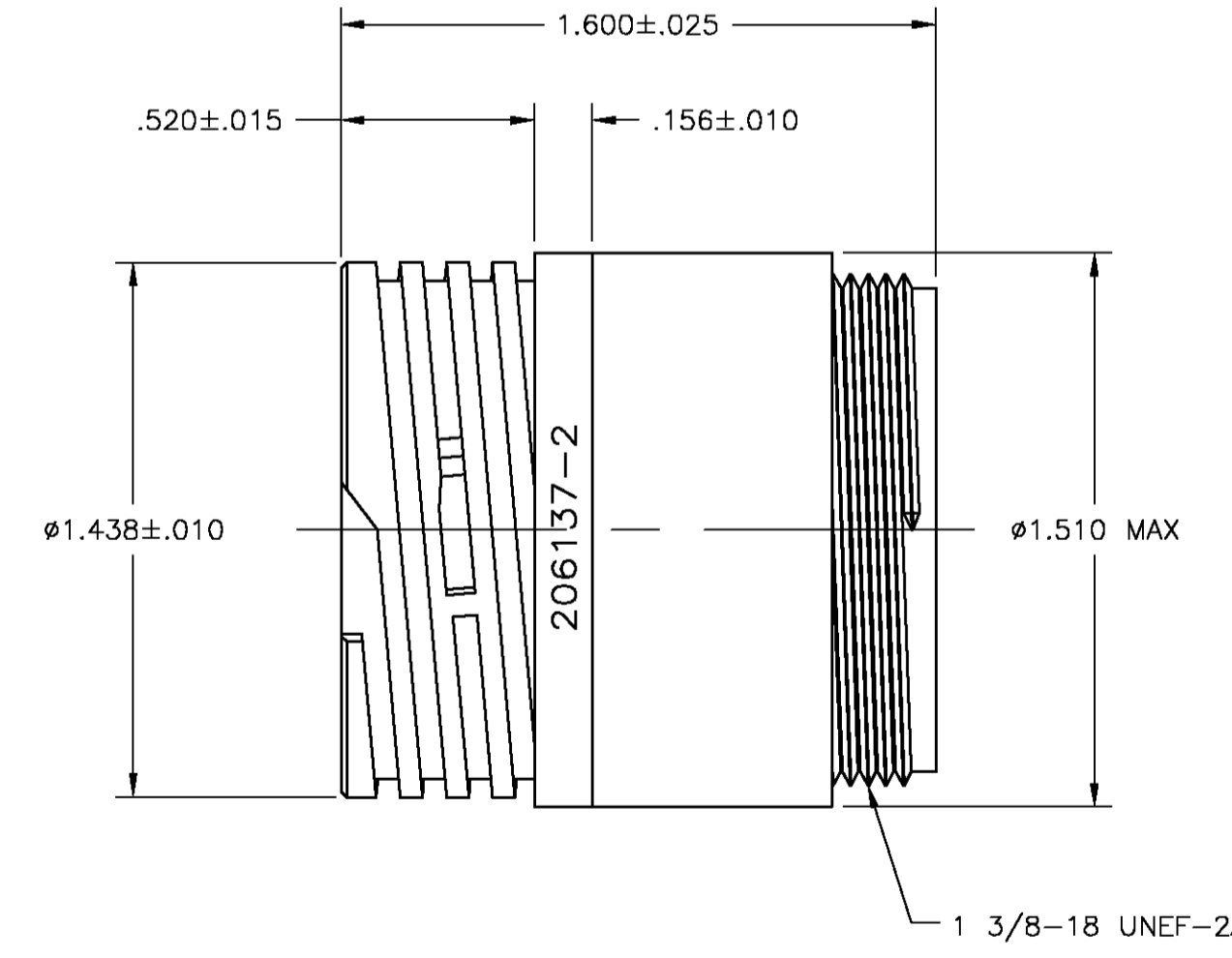
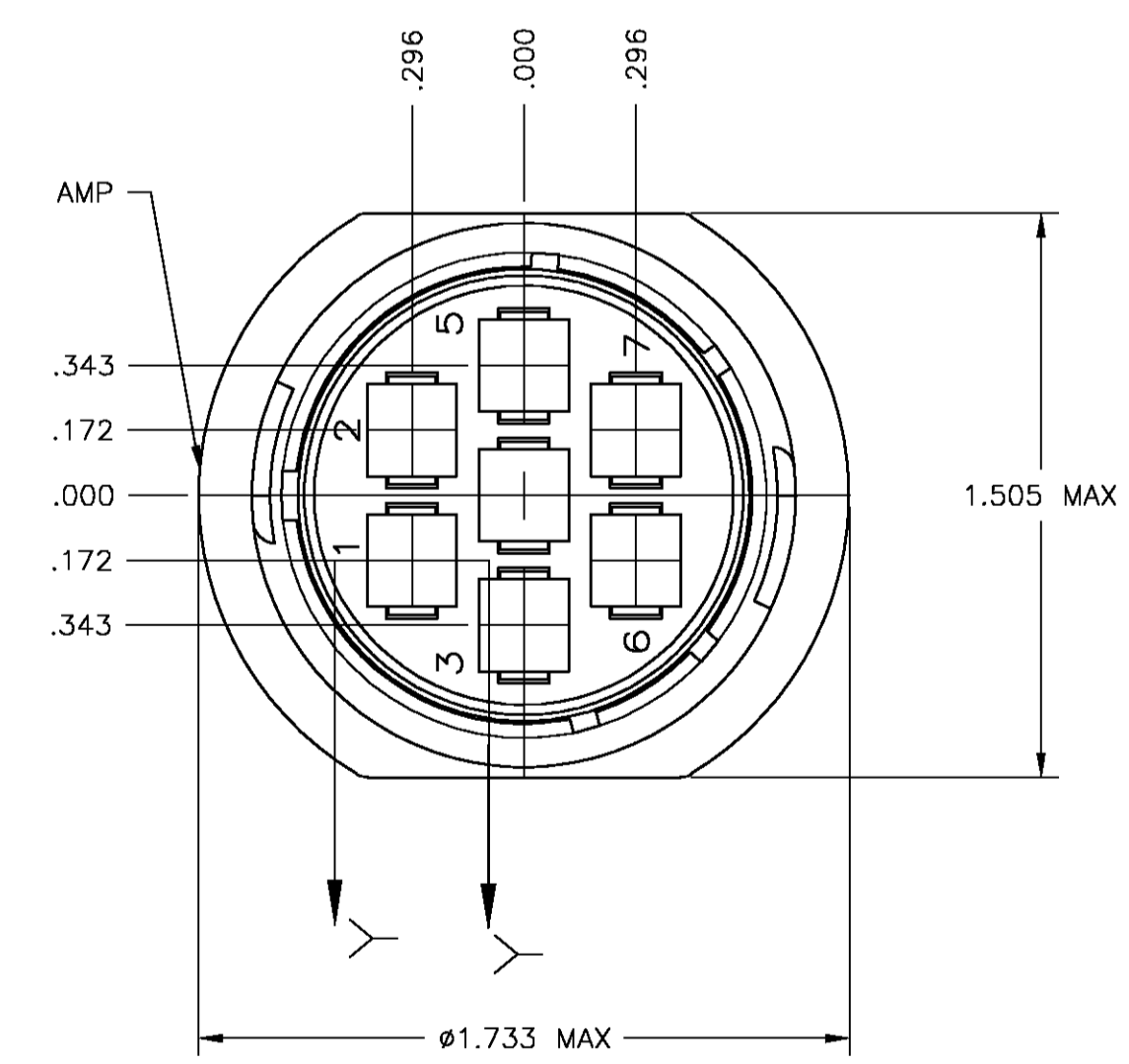
LOC		DIST		REVISIONS			
P	LTR	DESCRIPTION	DATE	DNW	APVD	SS	SH
M		REVISED PER 063B-0624-02	2/6/03	SS	SH		

- NOTES:
1. CAVITY IDENTIFICATION ON FRONT AND REAR FACE.
 2. WILL ACCEPT SEVEN (7) TYPE XII PIN CONTACTS.
- ⚠ #4 FASTENER RECOMMENDED FOR MOUNTING.



DETAIL A

RECOMMENDED PANEL CUTOUT



DETAIL B

4-40 THREADED INSERTS	A	206137-5
.150±.003	B	206137-2
.150±.003	A	206137-1
DIM C	SEE DETAIL	PART NUMBER

THIS DRAWING IS A CONTROLLED DOCUMENT		DNW D. HARDY 05/31/94	 Tyco Electronics Corporation Harrisburg, PA 17105
DIMENSIONS: INCHES		CHK W.G. LENKER 06/07/94	
TOLERANCES UNLESS OTHERWISE SPECIFIED:		APVD	NAME
0 PLC ± -	1 PLC ± -	PRODUCT SPEC	RECEPTACLE HOUSING, STANDARD
2 PLC ± .005	3 PLC ± -	APPLICATION SPEC	SEX, SHELL SIZE 23, CPC
4 PLC ± -	ANGLES ± -	SIZE	SCALE
MATERIAL NYLON, BLACK	FINISH	WEIGHT	RESTRICTED TO
CUSTOMER DRAWING		A1 00779	SCALE 2:1 SHEET 1 OF 1 REV M